

ALL-IN-ONE SOLAR STREET LIGHT

50W/100W/150W/200W/250W/300W

LED solar street lights are composed of photovoltaic power generation system, energy storage system, and light control system. The 18%+ conversion rate solar panel converts solar energy into electricity and stores it in battery, which provides power to the lighting control system at night, realizing 100% energy saving.

www.solarcitygas.com

Address: Lagos, Nigeria

Tel 01-2917107, 08058887411, 01-2917106



SOLAR STREET LIGHT

• 50W/100W/150W/200W/250W/300W

PRODUCT OVERVIEW

► **Motion & Light Sensor**

The solar powered street light charging during the day and light up at night automatically. Constantly light, motion sensor, brightness all can be customized by remote control.

► **Secondary optical design**

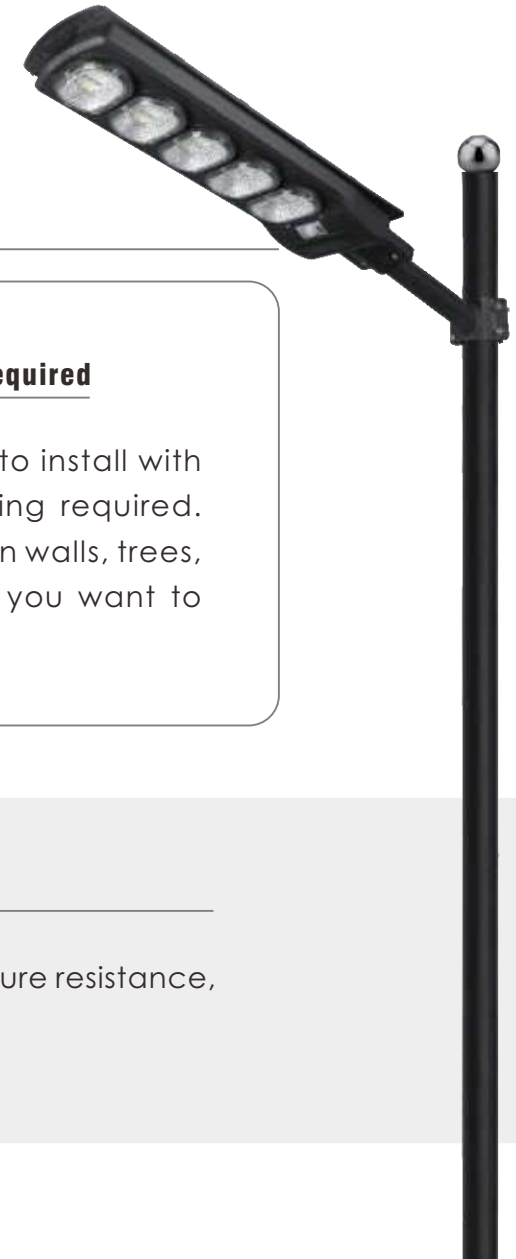
The secondary optical design makes the light emitted by the LED light source illuminate the illuminated area through the secondary focusing, so that the light can be effectively used.

► **Cope Harsh Weather, IP65 Waterproof**

This solar street light has very good waterproof, rainproof and lightning-proof performance, -4° F-120° F temperature resistance, IP65 waterproof, can work in all kinds of bad weather.

► **Easy to install, no wiring required**

The LED street light is easy to install with screws, no wiring or ditching required. You can install solar lights on walls, trees, light poles, etc. wherever you want to install them.





SOLAR STREET LIGHT

• 50W/100W/150W/200W/250W/300W

PRODUCT DETAILS

Solar Panel

High quality polycrystalline silicon material, high charging efficiency, long lifespan

ABS Lamp Housing

Solar street lights are made of high quality and durable ABS materials, which can effectively isolate water and work normally even in harsh weather.

Motion Sensing

The light will work automatically at night. When people come, the light will working at 100% power, after people gone, the light will working at 30% power.



LED Chip

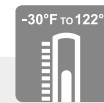
Built-in LED chip, enable solar street lights to emit high brightness with low heat even after long time usage.

Anti-UV Optical lens

The Lens makes the light spot is uniform, there is no astigmatism, no shadow, and the transmittance is very high, which maximizes the utilization of LED light.

Battery

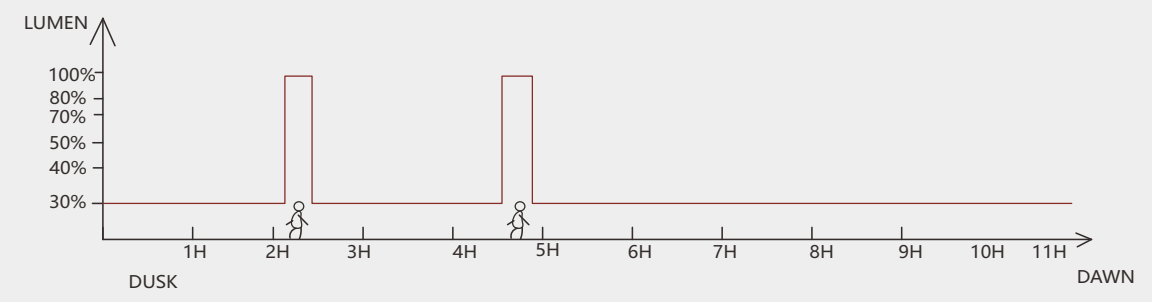
Long battery lifespan and more durable, even use in the -20°C~65°C area



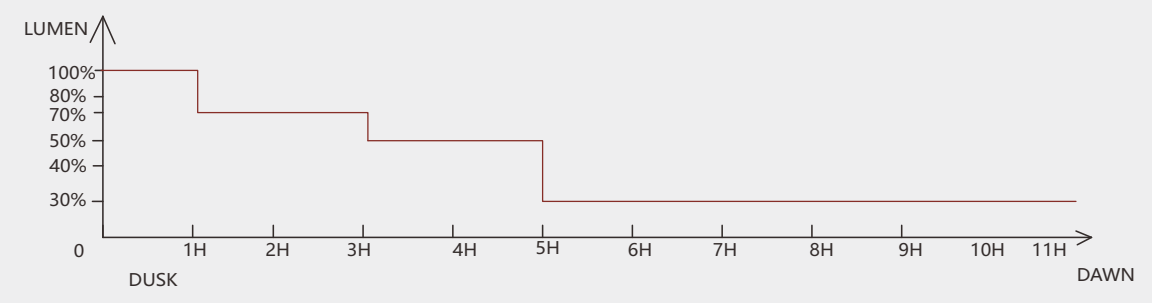


HOW THE LIGHT WORKS

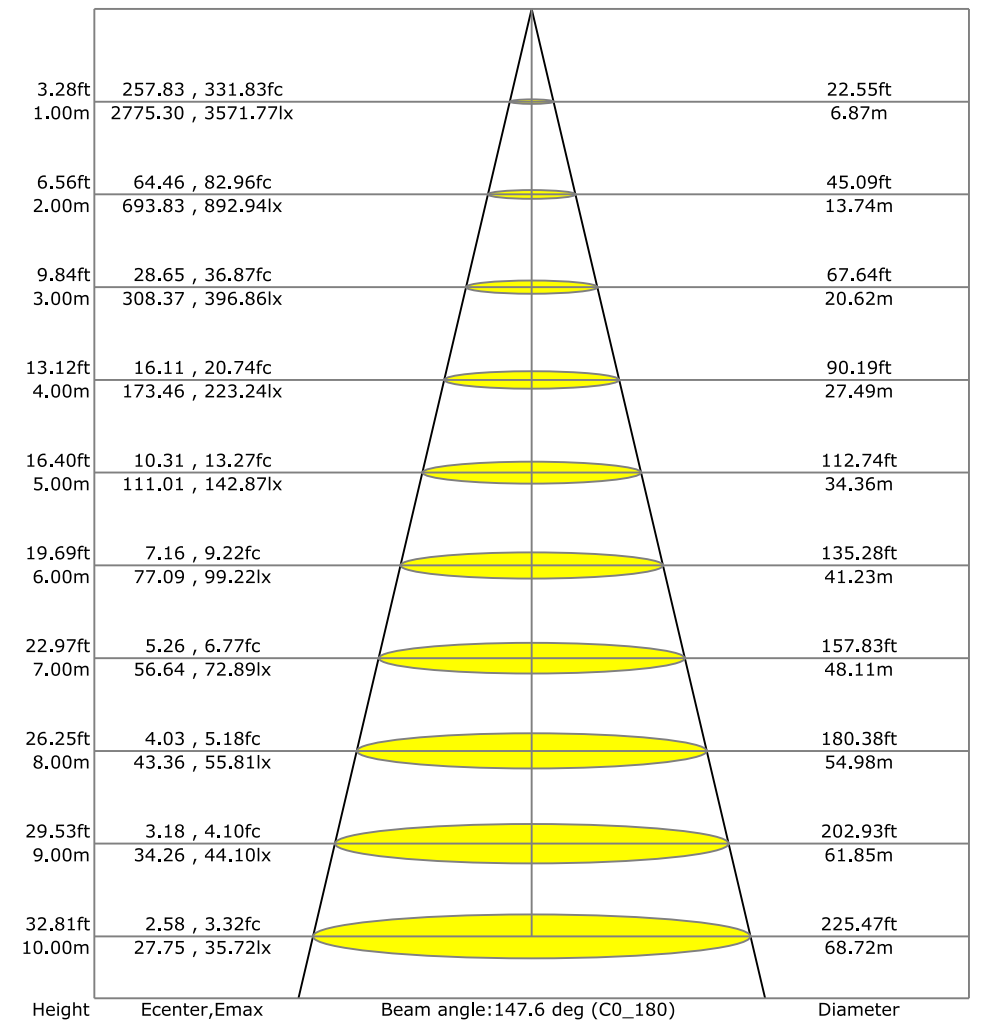
MOTION SENSING MODE



TIME CONTROL MODE

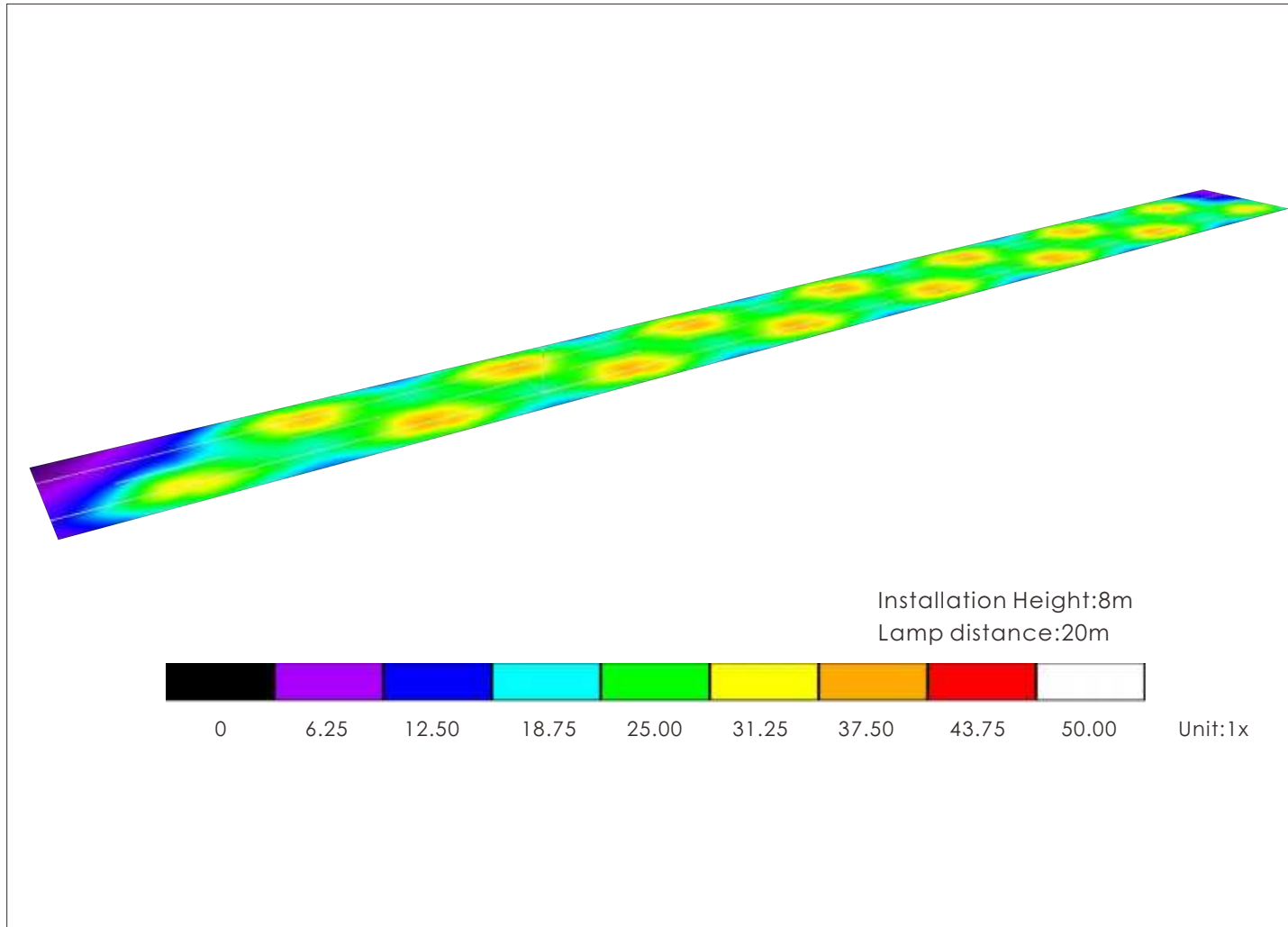


LX-DISTANCE DIAGRAM

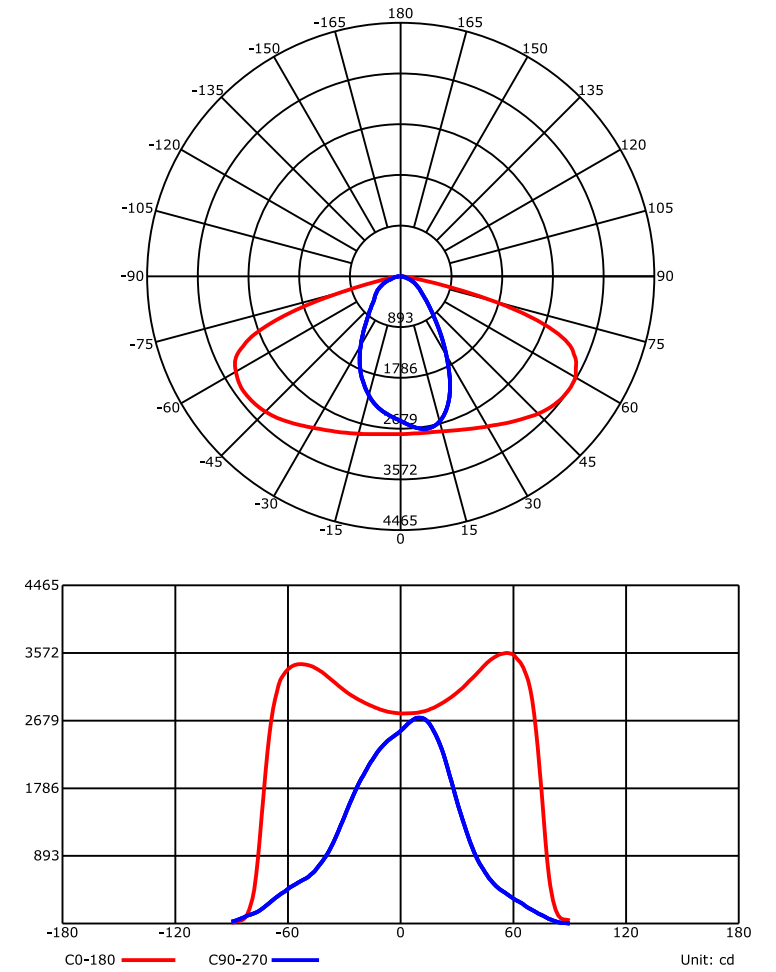




300W DIALUX SIMULATION EFFECT



LUMINOUS INTENSITY DISTRIBUTION CURVE





BATTERY SPECIFICATION

DesignLife	6-8 years					
Nominal Voltage	3.2V					
Nominal Capacity	5AH	6AH	10AH	12AH	15AH	18AH
Self-Discharge						
3% of capacity declined per month at 20°C(average)						
Operation Temperature Range						
Discharge	-20~60°C					
Charge	-10~60°C					
Storage	-20~60°C					
Max.Discharge Current 77°F(25°C)	50A(5s)					
Short Circuit Current	100A					



BATTERY GUARANTEE OF QUALITY

- 01 Battery Cells**
High-end battery cells keep every cell's voltage, resistance, capacity, discharging always in sync.
- 02 Battery Protector**
High precision IC keep performance more stable protect over load, over charge, over discharge, short circuit, over voltage, over current keep battery pack always safe and long life span.

- 03 Precision Welding Machine**
Fully automatic precision welding machine can ensure that every battery can be welded firmly to prevent the danger of short circuit or power failure.
- 04 Aging Test Machine**
every battery pack need to thorough charging and discharging test by the aging test machine to keep 100% qualified.



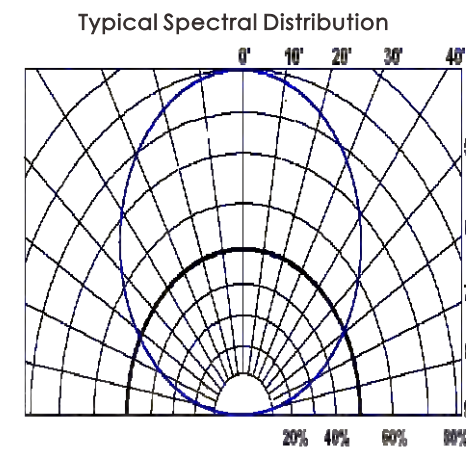
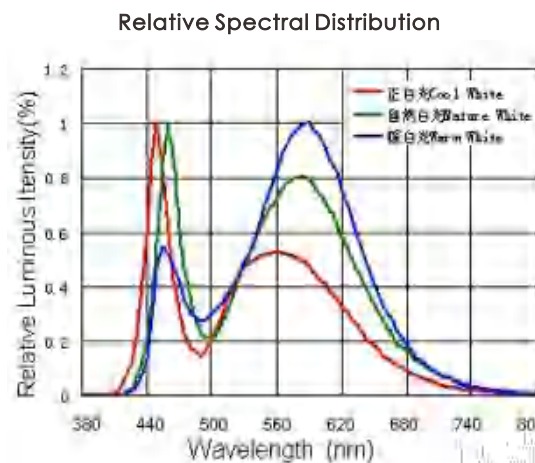
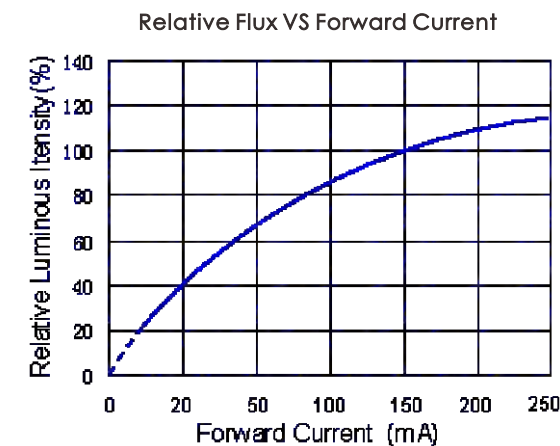
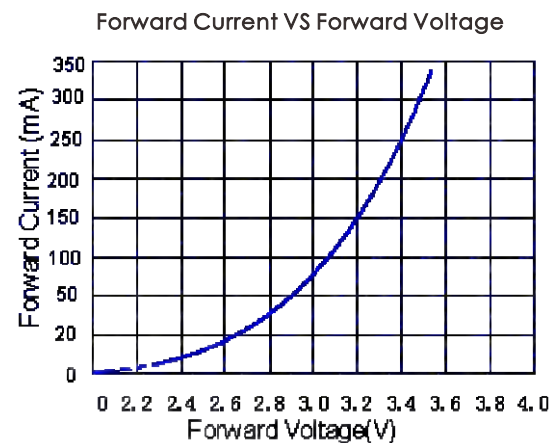
SMD 2835 INTRODUCTION



Features:

- Super high efficiency
- High reliability performance
- Viewing angle 120°
- Suitable for all SMT assembly and solder process
- Complied with RoHS directive

TYPICAL OPTICAL-ELECTRICAL CHARACTERISTIC CURVES





SOLAR PANEL SPECIFICATION



Specifications

Peak Power(Pmax)	4.5/7/9/15/16/18
Maximum Power Voltage(Vmp)	4.5
Maximum Power Current(Imp)	1/1.56/2/3.33/3.56/4
Open Circuit Voltage(Voc)	8.66/8.69/8.75/8.81/8.83/8.85
Short Circuit Current(Isc)	1.17/1.73/2.17/3.5/3.73/4.17
Cells Efficiency(°C)	18.09
Module Efficiency(°C)	10.74
Power Tolerance	0~+3%
Pmax Temperature Coefficients(W/°C)	-0.400%
Voc Temperature Coefficients(V/°C)	-0.300%
Isc Temperature Coefficients(A/°C)	+0.060%
NOCT Nominal Operating Cell Temperature(°C)	45±2
Operating and Storage Temperature(°C)	-40~+85
Standard Test Condition(STC)	1.000W/m²;AM 1.5;25+/-2°C

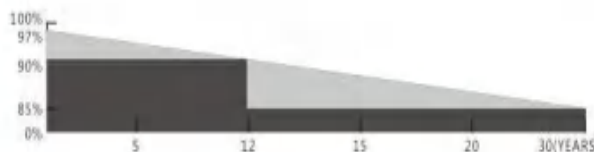
Mechanical characteristics

Front Glass	3.2mm high transmission,low iron,tempered glass
Frame	Anodized Aluminium Alloy
Junction box	IP65 Rated
Output cables	2.5mm² cable 90cm+mc4

Product Standard

Product Performance	IEC61215
Product Safety	IEC61730

Linear Performance Warranty



12
YEARS

Guarantee on product material and workmanship

30
YEARS

Linear Power output warranty

Key Features



5 Busbar Cell:

5 Busbar Solar cell adopts new technology to improve the efficiency of modules, offers a better aesthetic appearance making it perfect for rooftop installation and application



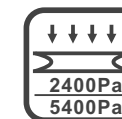
High Efficiency

High Module conversion efficiency, through innovative manufacturing technology



Low-Light Performance

Advanced glass and solar cell surface texturing allow for excellent performance in low-light environments



Serve Weather Resilience

Certified to withstand wind load(2400Pa) and snow load (5400Pa)



Durability against extreme environmental conditions

High salt mist and ammonia resistance certified by TUV



0-+5W Positive Tolerance

Detailed information in Electrical Specifications

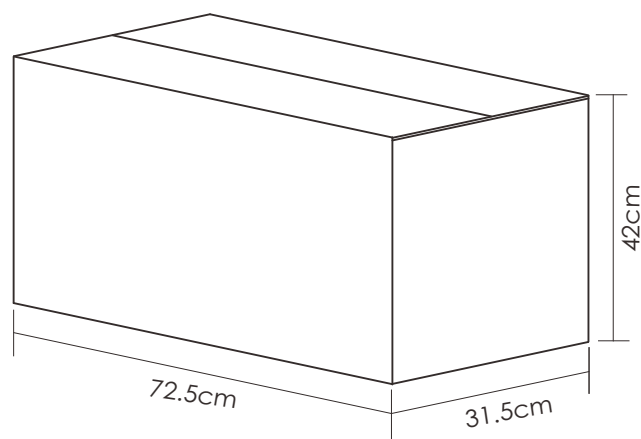
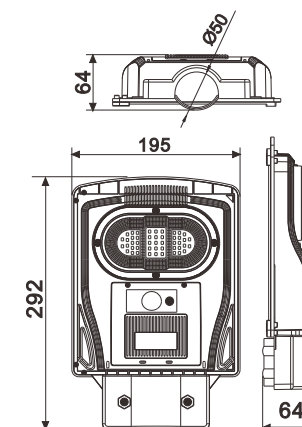


PRODUCT SPECIFICATION

0426A50-03 50W

Unit: mm

Model	0426A50-03
LED Lamp	2835LED 68PCS 3000-6000K
Solar Panel	4.5V 4.5W, Polycrystalline
Battery Type	LiFePO4 3.2V 5AH
Charging Time	6-8 hours
Discharging time	12-15 hours
Led	160 lm/w
Material	ABS
Product Size	292*195*64mm
Install Height	3-4m
Warranty	2 Years



PACKAGING SPECIFICATION

P/N	Power	Packing Size (CM)			PCS/CTN	CBM/CTN	G.W/CTN (KGS)
		L	W	H			
0426A50-03	50W	72.50	31.50	42.00	20	0.0959	21.9

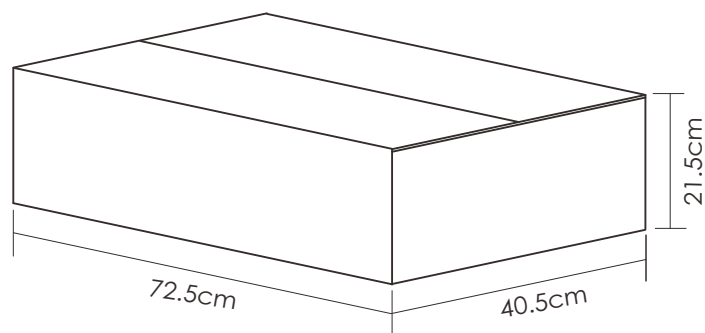
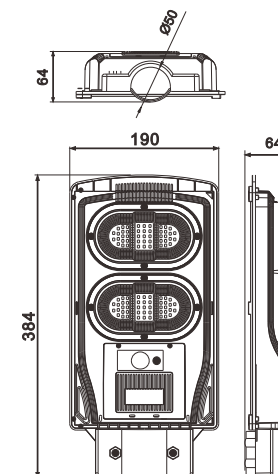


PRODUCT SPECIFICATION

0426B100-03 100W

Unit: mm

Model	0426B100-03
LED Lamp	2835LED 136PCS 3000-6000K
Solar Panel	4.5V 7W, Polycrystalline
Battery Type	LiFePO4 3.2V 6AH
Charging Time	6-8 hours
Discharging time	12-15 hours
Led	160 lm/w
Material	ABS
Product Size	384*190*64mm
Install Height	4-5m
Warranty	2 Years



PACKAGING SPECIFICATION

P/N	Power	Packing Size (CM)			PCS/CTN	CBM/CTN	G.W/CTN (KGS)
		L	W	H			
0426B100-03	100W	72.50	40.50	21.50	10	0.0631	13.2

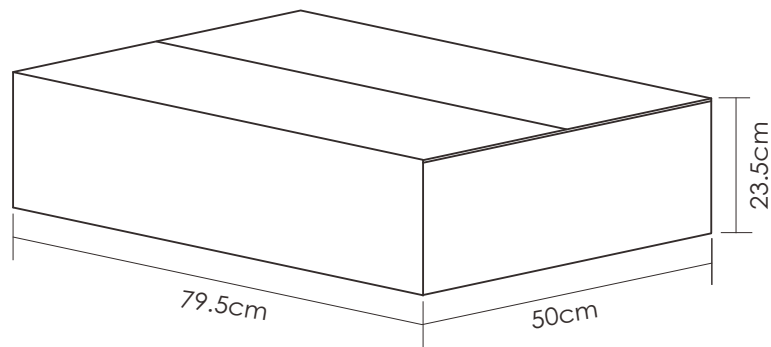
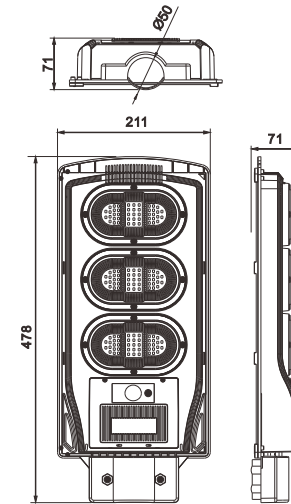


PRODUCT SPECIFICATION

0426C150-03 50W

Unit: mm

Model	0426C150-03
LED Lamp	2835LED 204PCS 3000-6000K
Solar Panel	4.5V 9W, Polycrystalline
Battery Type	LiFePO4 3.2V 10AH
Charging Time	6-8 hours
Discharging time	12-15 hours
Led	160 lm/w
Material	ABS
Product Size	478*211*71mm
Install Height	5-6m
Warranty	2 Years



PACKAGING SPECIFICATION

P/N	Power	Packing Size (CM)			PCS/CTN	CBM/CTN	G.W/CTN (KGS)
		L	W	H			
0426C150-03	150W	79.50	50.00	23.50	10	0.0934	20.5

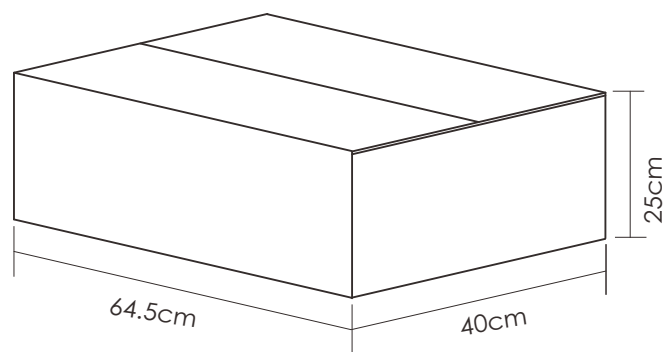
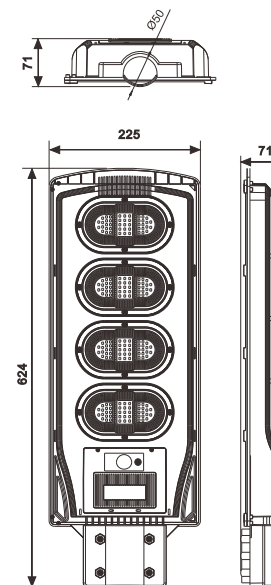


PRODUCT SPECIFICATION

0426D200-03 200W

Unit: mm

Model	0426D200-03
LED Lamp	2835LED 272PCS 3000-6000K
Solar Panel	4.5V 15W, Polycrystalline
Battery Type	LiFePO4 3.2V 12AH
Charging Time	6-8 hours
Discharging time	12-15 hours
Led	160 lm/w
Material	ABS
Product Size	624*225*71mm
Install Height	6-7m
Warranty	2 Years



PACKAGING SPECIFICATION

P/N	Power	Packing Size (CM)			PCS/CTN	CBM/CTN	G.W/CTN (KGS)
		L	W	H			
0426D200-03	200W	64.50	40.00	25.00	5	0.0645	14.5

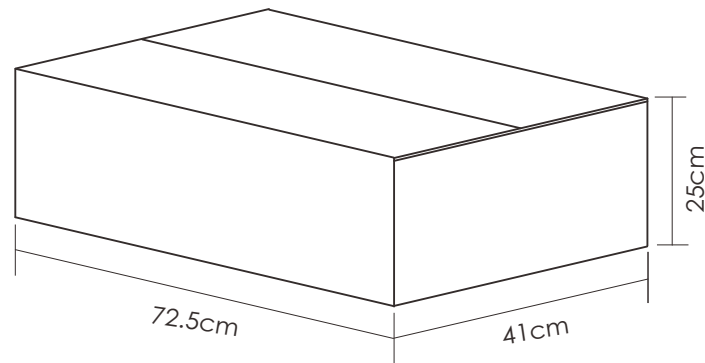
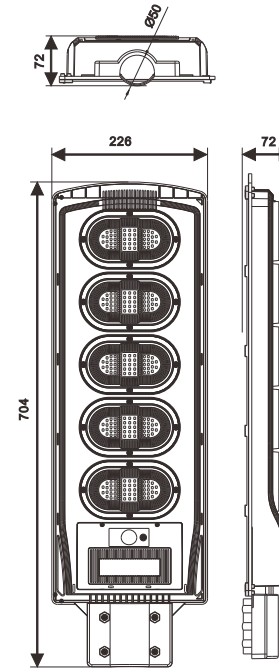


PRODUCT SPECIFICATION

Model	0426E250-03
LED Lamp	2835LED 340PCS 3000-6000K
Solar Panel	4.5V 16W, Polycrystalline
Battery Type	LiFePO4 3.2V 15AH
Charging Time	6-8 hours
Discharging time	12-15 hours
Led	160 lm/w
Material	ABS
Product Size	704*226*72mm
Install Height	7-8m
Warranty	2 Years

0426E250-03 250W

Unit: mm



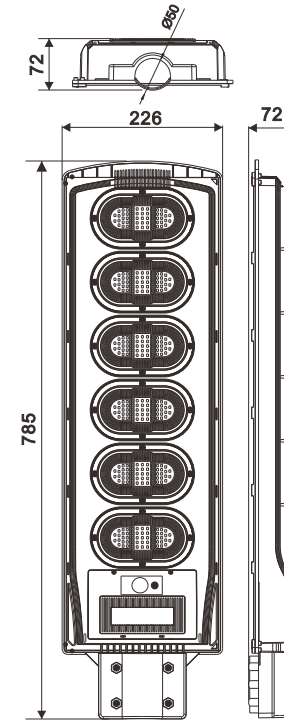
PACKAGING SPECIFICATION

P/N	Power	Packing Size (CM)			PCS/CTN	CBM/CTN	G.W/CTN (KGS)
		L	W	H			
0426E250-03	250W	72.50	41.00	25.00	5	0.0743	16.7



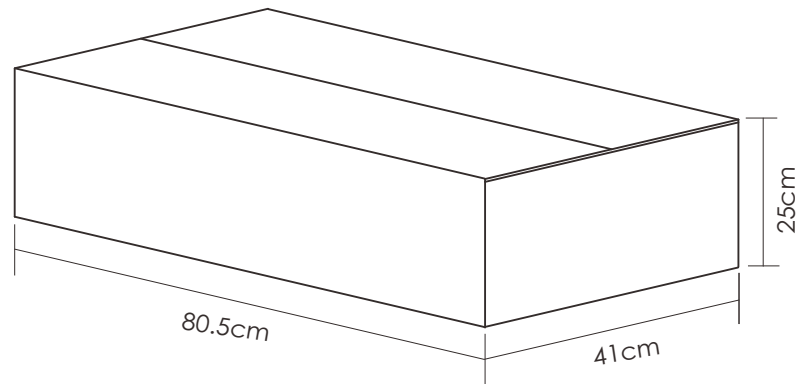
PRODUCT SPECIFICATION

Model	0426F300-03
LED Lamp	2835LED 408PCS 3000-6000K
Solar Panel	4.5V 18W, Polycrystalline
Battery Type	LiFePO4 3.2V 18AH
Charging Time	6-8 hours
Discharging time	12-15 hours
Led	160 lm/w
Material	ABS
Product Size	785*226*72mm
Install Height	8-9m
Warranty	2 Years



0426F300-03 300W

Unit: mm

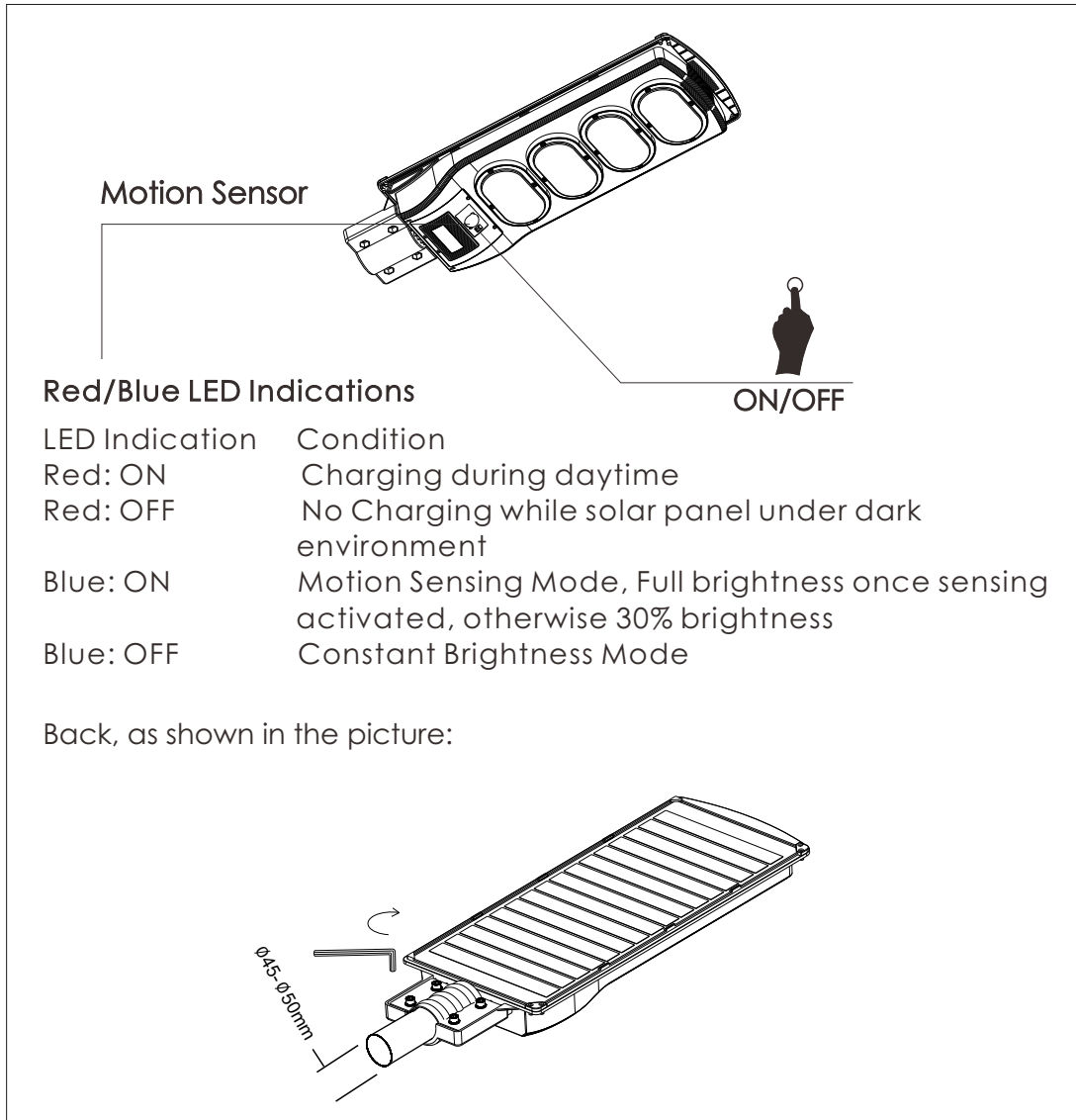


PACKAGING SPECIFICATION

P/N	Power	Packing Size (CM)			PCS/CTN	CBM/CTN	G.W/CTN (KGS)
		L	W	H			
0426F300-03	300W	80.50	41.00	25.00	5	0.0825	18.3



USER GUIDE



Motion Sensor

ON/OFF

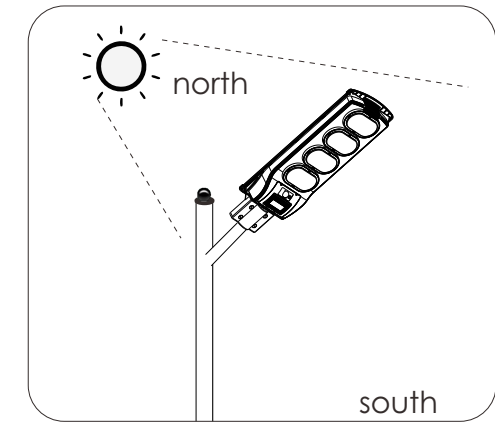
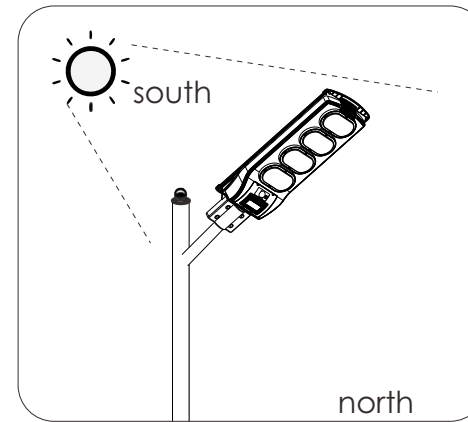
Red/Blue LED Indications

LED Indication	Condition
Red: ON	Charging during daytime
Red: OFF	No Charging while solar panel under dark environment
Blue: ON	Motion Sensing Mode, Full brightness once sensing activated, otherwise 30% brightness
Blue: OFF	Constant Brightness Mode

Back, as shown in the picture:

Ø45-Ø60mm

1. Insert the lamp arm into the lamp body and tighten the screw.
2. Please select the appropriate product according to the installation site's sunlight intensity and required operating time. If you are in the northern hemisphere, face the solar panels towards the south as far as possible when installing the solar light; if you are in the southern hemisphere, face the solar panels towards the north.



(A diagram for how the orientation impacts on power generation efficiency)



APPLICATION

